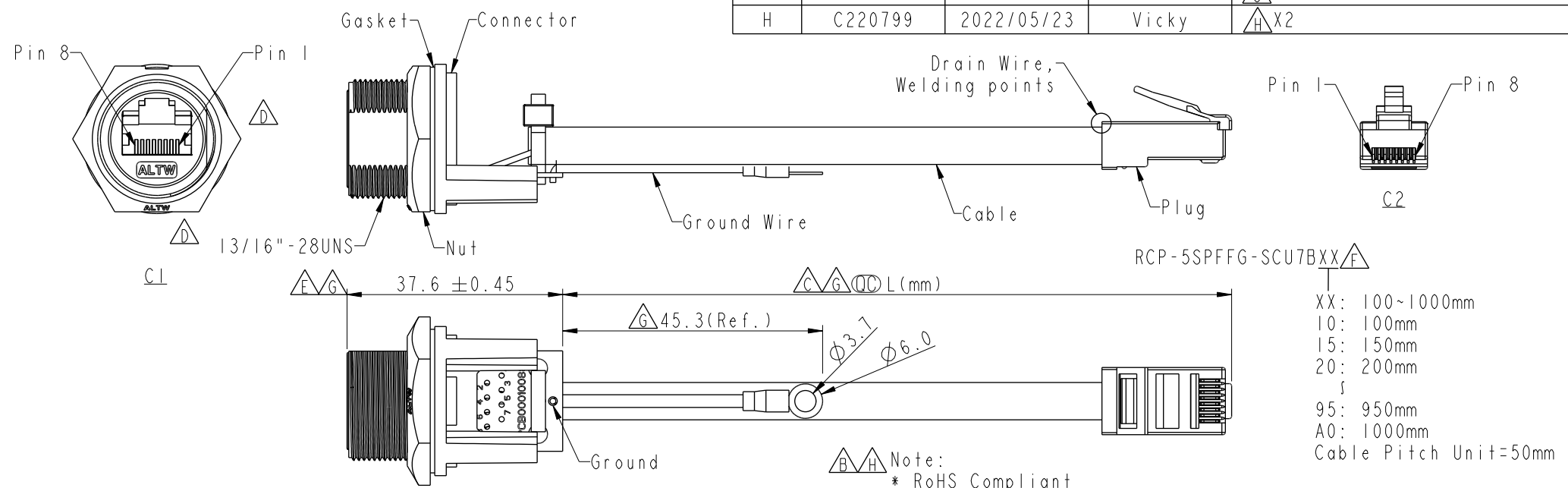


THIS DOCUMENT IS SUBJECT TO CHANGE WITHOUT NOTICE. IT IS CONFIDENTIAL AND A PROPERTY OF Amphenol LTW. DISCLOSURE TO THIRD PARTY HAS TO BE AUTHORIZED BY Amphenol LTW.

REV.	ECN NO.	DATE	SIGN	DESCRIPTION
F	E191612	2019/09/16	Ruru	Drawing Code Unified Writing
G	C201915	2020/12/04	Ruru	$\triangle G$ X3
H	C220799	2022/05/23	Vicky	$\triangle H$ X2

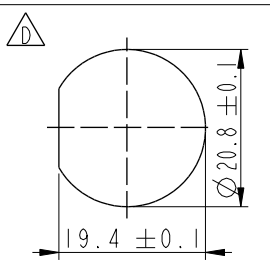


RCP-5SPFFG-SCU7BXX $\triangle F$

XX:	100~1000mm
10:	100mm
15:	150mm
20:	200mm
95:	950mm
A0:	1000mm
Cable Pitch Unit=50mm	

- $\triangle B$ $\triangle H$ Note:
- * RoHS Compliant
 - * \textcircled{C} Important dimension
 - * C1
 - Waterproof rate: IPX7, unmated
 - Housing: Thermoplastic, Black, RJ45 jack, Shielded
 - Nut: Thermoplastic, Black
 - Gasket: Rubber, Gray
 - * C2
 - Waterproof rate: Non-Waterproof
 - Plug: RJ45, Shielded
 - * Use with waterproof cap or dust cap
Panel thickness max: 3.0mm
 - * Use without waterproof cap or dust cap
Panel thickness max: 4.2mm
 - * Gasket and nut are assembled on connectors
 - * Wire: UL1015, 20AWG
 - * Cable: Cat.5E, 24#*4P+MY+D+AL, PVC Jacket, Black, OD6.5mm
 - * Cable length tolerance:
 - 100mm: ± 10 mm
 - 100mm < L \leq 300mm: ± 15 mm
 - 300mm < L \leq 1000mm: ± 20 mm

Ground	Wire(20AWG)	Green 線	Terminal
Shield	Drain Wire	接地線	Shield
8	Brown	棕	8
7	White/Brown	白/棕	7
6	Green	綠	6
5	White/Blue	白/藍	5
4	Blue	藍	4
3	White/Green	白/綠	3
2	Orange	橘	2
1	White/Orange	白/橘	1
C1	Wire Color		C2
	Pin Out		



UNIT: mm	\textcircled{C}	\textcircled{H}	TITLE RJ, C PLASTIC, C5E SHLD FRONT FASTENED, F, PNL W/G, SCREW
TOLERANCE .X ± 0.25 .XX ± 0.1 .XXX ± 0.05 ANGLES $\pm 1^\circ$	SCALE 1:1	SIZE A4	SHEET 1 OF 1
	REV. H	WC-REV. A.6	\textcircled{C} : Inspection item

Amphenol LTW
安費諾亮泰企業股份有限公司

ITEM NO	DRAWN BY	DATE
DWG NO	CHECKED BY	DATE
CUSTOMER	APPROVED BY	DATE
ALTW	Max	2019-09-16