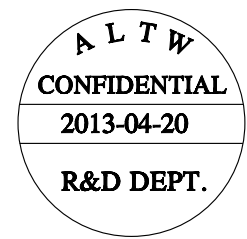
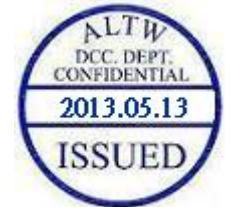
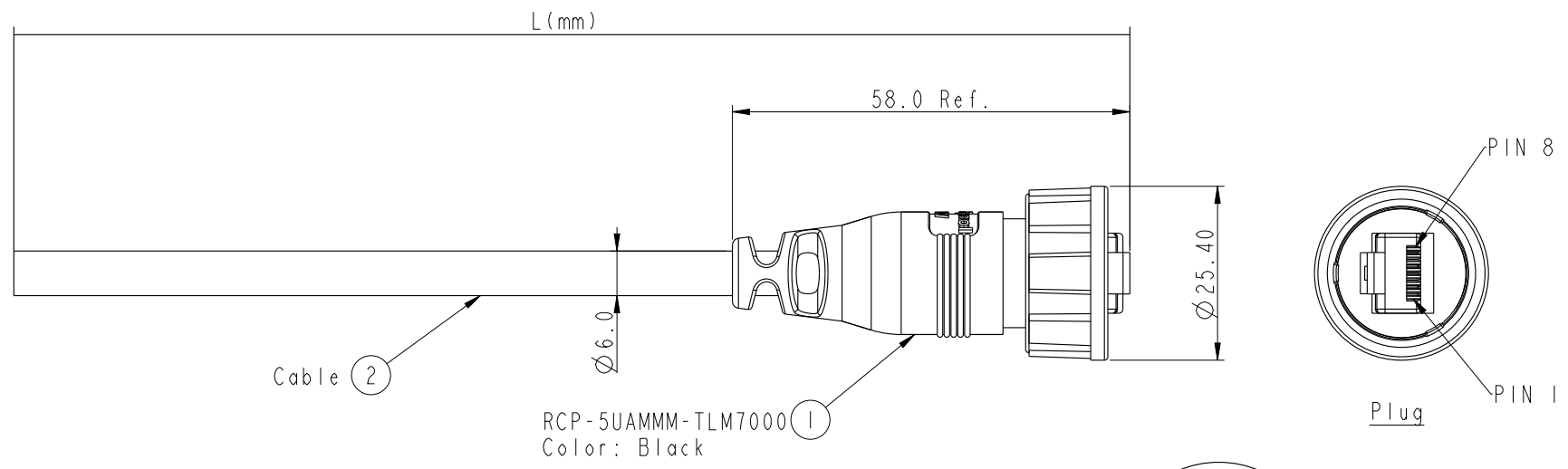


THIS DOCUMENT IS SUBJECT TO CHANGE WITHOUT NOTICE. IT IS CONFIDENTIAL AND A PROPERTY OF Amphenol LTW. DISCLOSURE TO THIRD PARTY HAS TO BE AUTHORIZED BY Amphenol LTW.

|      |         |      |      |             |
|------|---------|------|------|-------------|
| REV. | ECN NO. | DATE | SIGN | DESCRIPTION |
|      |         |      |      |             |



| Pin Out      |    |      |
|--------------|----|------|
| Wire Color   |    | Plug |
| Drain Wire   | 接地 |      |
| Brown        | 棕  | 8    |
| Brown/white  | 棕白 | 7    |
| Green        | 綠  | 6    |
| Blue/white   | 藍白 | 5    |
| Blue         | 藍  | 4    |
| Green/white  | 綠白 | 3    |
| Orange       | 橙  | 2    |
| Orange/white | 橙白 | 1    |

RCP-5UAMMM-TLM7AXX

XX: 01~99Meter  
 01: 01Meter  
 02: 02Meters  
 :  
 :  
 99: 99Meters  
 Cable Length(L):01~99Meters

X:  
 (A)CAT5E UTP

Note:  
 \*  $\varnothing$  Important Dimension  
 \* Waterproof Rate: IP67.  
 \* Plug: PC, UL94V-2, Gold Plated,  
 \* Lock Nut: Nylon+GF, Black.  
 \* Gasket: EPDM, Black.  
 \* Cable: (A)CAT5E UTP, OD Max.:  $\varnothing 6.0$ , Black.  
 \* Cable Length Tolerance: 01M:  $\pm 40$ mm  
 02~05M:  $\pm 60$ mm  
 06~10M:  $\pm 100$ mm  
 11~30M:  $\pm 200$ mm  
 30~99M:  $\pm 500$ mm

|           |                 |                      |
|-----------|-----------------|----------------------|
| UNIT: mm  |                 |                      |
| TOLERANCE | .X $\pm 0.25$   | .XX $\pm 0.1$        |
|           | .XXX $\pm 0.05$ | ANGLES $\pm 1^\circ$ |

|  |                 |                                 |  |
|--|-----------------|---------------------------------|--|
| TITLE<br>RJ45, C SIZE CABLE<br>3P_LOCK 5E M CONN M PIN |                 |                                 |  |
| SCALE<br>1:1   | SIZE<br>A4      | SHEET<br>1 OF 1                 |  |
| REV.<br>A  | WC-REV.<br>A.11 | $\varnothing$ : Inspection item |  |

**Amphenol LTW**  
 安費諾亮泰企業股份有限公司

|                              |                           |                    |
|------------------------------|---------------------------|--------------------|
| ITEM NO                      | DRAWN BY<br>Laurence_zang | DATE<br>2013-04-20 |
| DWG NO<br>RCP-5UAMMM-TLM7AXX | CHECKED BY<br>RAISON      | DATE<br>2013-04-20 |
| CUSTOMER<br>ALTW             | APPROVED BY<br>VICTOR     | DATE<br>2013-04-20 |