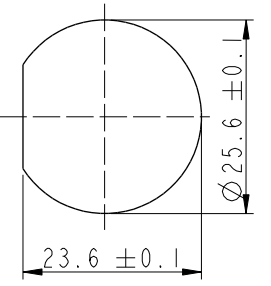
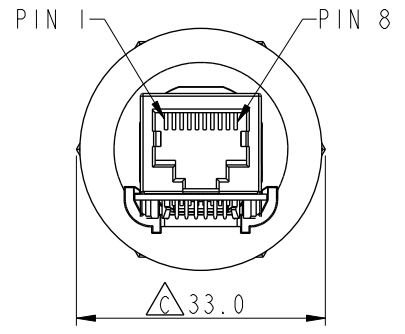
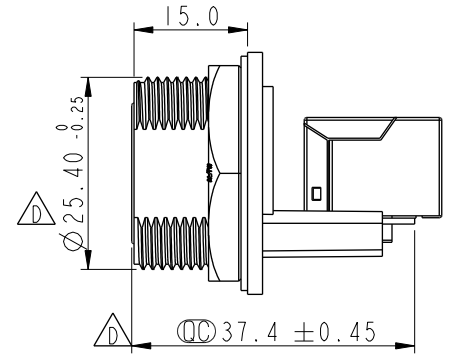
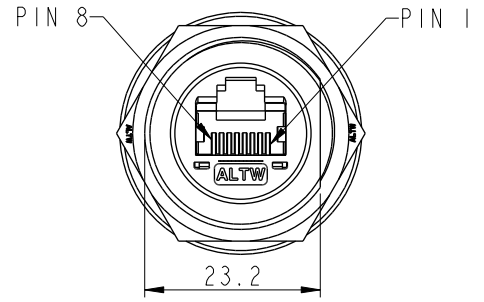
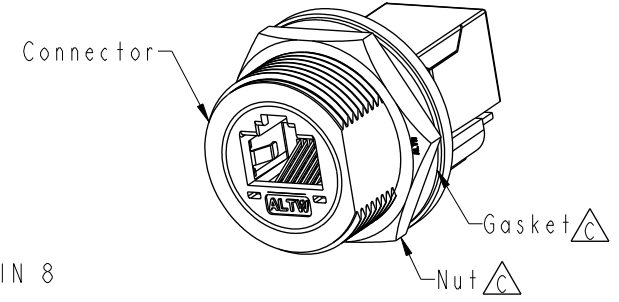
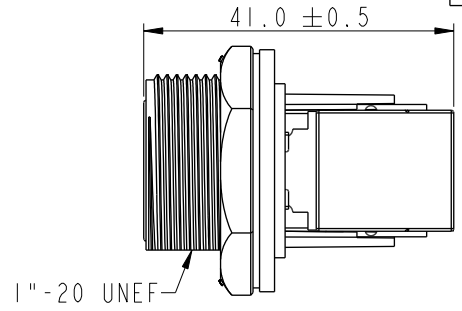


THIS DOCUMENT IS SUBJECT TO CHANGE WITHOUT NOTICE. IT IS CONFIDENTIAL AND A PROPERTY OF Amphenol LTW. DISCLOSURE TO THIRD PARTY HAS TO BE AUTHORIZED BY Amphenol LTW.

REV.	ECN NO.	DATE	SIGN	DESCRIPTION
D	LEN1810028	2017/11/28	Jalam	Modify The Tolerance
E	C190405	2019/03/15	Ruru	Modify Note
F	C220800	2022/05/31	Vicky	△ F X2



Recommended Panel Cut-Out

- △ E △ F Note:
- \* RoHS Compliant
  - \* Ⓞ Important dimension
  - \* Waterproof rate: IPX7, mated
  - \* Connector Housing: Thermoplastic, Black, RJ45 jack, shielded
  - \* Nut: Thermoplastic, Black
  - \* △ Gasket: Rubber, Gray
  - \* Use with waterproof cap or dust cap  
Panel thickness max: 2.4mm
  - \* Use without waterproof cap or dust cap  
Panel thickness max: 3.6mm
  - \* Gasket and nut are packed separately in pe bag

UNIT: mm		
TOLERANCE	.X ± 0.25	
.XX	± 0.1	
.XXX	± 0.05	
ANGLES	± 1°	

TITLE RJ, D PLASTIC, C5E SHLD FRONT FASTENED, F, PNL JACK S, SCREW			
SCALE	SIZE	SHEET	OF
1:1	A4	1	1
REV.	WC-REV.	Ⓞ: Inspection item	
F	A.8		

**Amphenol LTW**  
安費諾亮泰企業股份有限公司

ITEM NO	RDP-5SPFFH-SCM7001	DRAWN BY	Ruru	DATE	2019-03-15
DWG NO	RDP-5SPFFH-SCM7001	CHECKED BY	Rita	DATE	2019-03-15
CUSTOMER	ALTW	APPROVED BY	Max	DATE	2019-03-15