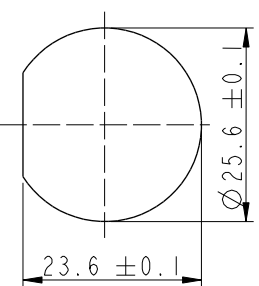
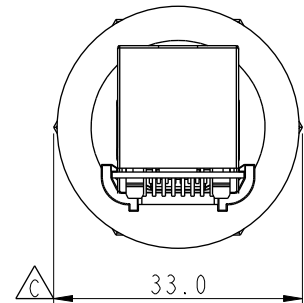
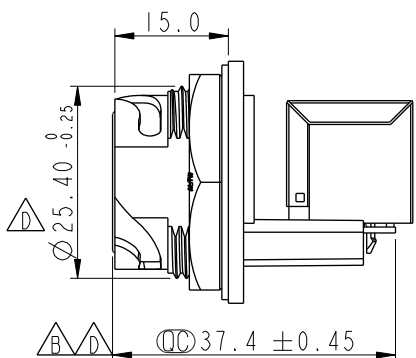
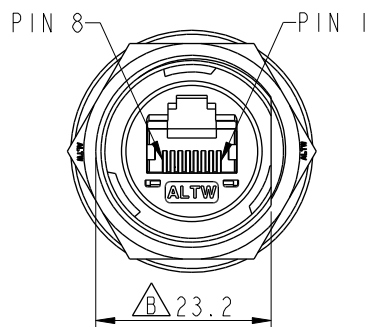
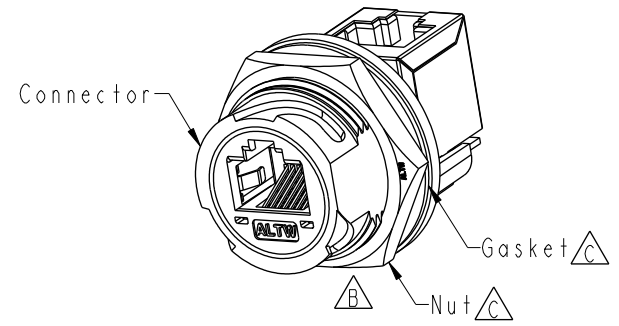
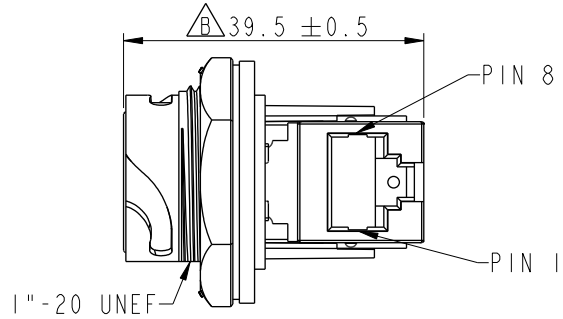


REV.	ECN NO.	DATE	SIGN	DESCRIPTION
D	LEN1810035	2017/11/29	Jalam	Change The Tolerance
E	C190405	2019/03/15	Ruru	Modify Note
F	C220800	2022/06/02	Vicky	△ F X2



Recommended Panel Cut-Out

- △ E △ F Note:
- * RoHS Compliant
 - * Ⓞ Important dimension
 - * Waterproof rate: IPX7, mated
 - * Connector Housing: Thermoplastic, Black, RJ45 jack, shielded
 - * Nut: Thermoplastic, Black
 - * Gasket: Rubber, Gray
 - * Use with waterproof cap or dust cap
Panel thickness max: 1.3mm
 - * Use without waterproof cap or dust cap
Panel thickness max: 2.5mm
 - * Gasket and nut are packed separately in pe bag

UNIT: mm		TITLE	RJ, D PLASTIC, C5E SHLD FRONT FASTENED, F, PNL JACK R, 3LOCK	
TOLERANCE		SCALE	SIZE	SHEET OF
.X ±0.25		1:1	A4	1 OF 1
.XX ±0.1		REV.	WC-REV.	
.XXX ±0.05		F	A.8	Ⓞ: Inspection item
ANGLES ±1°				

Amphenol LTW
安費諾亮泰企業股份有限公司

ITEM NO	RDP-5SPFFV-TCM7001	DRAWN BY	Ruru	DATE	2019-03-15
DWG NO	RDP-5SPFFV-TCM7001	CHECKED BY	Rita	DATE	2019-03-15
CUSTOMER	ALTW	APPROVED BY	Max	DATE	2019-03-15

THIS DOCUMENT IS SUBJECT TO CHANGE WITHOUT NOTICE. IT IS CONFIDENTIAL AND A PROPERTY OF Amphenol LTW. DISCLOSURE TO THIRD PARTY HAS TO BE AUTHORIZED BY Amphenol LTW.