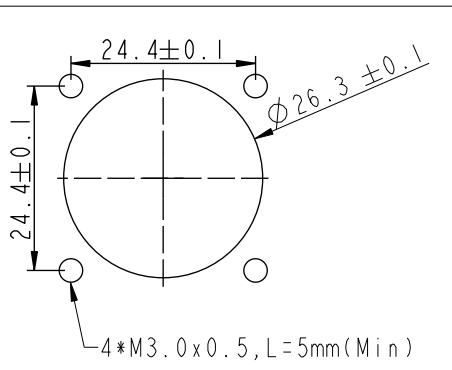
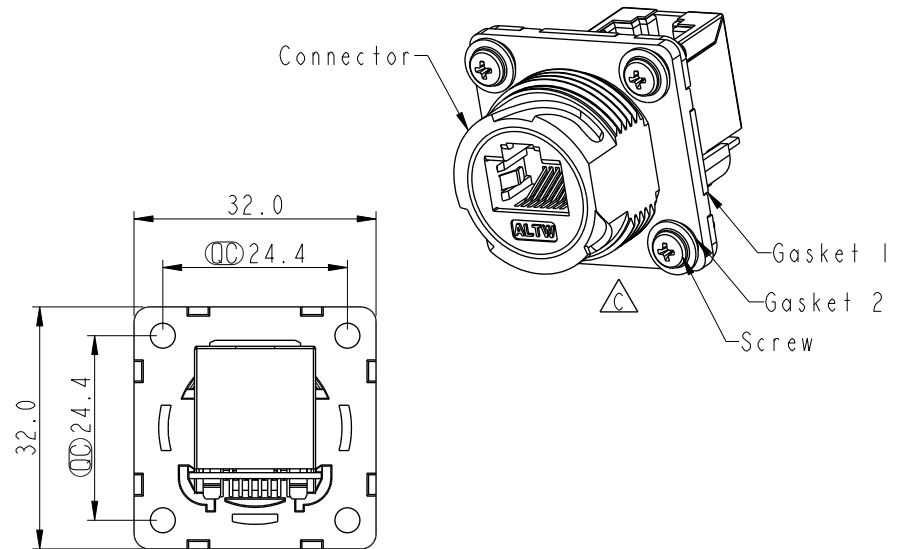
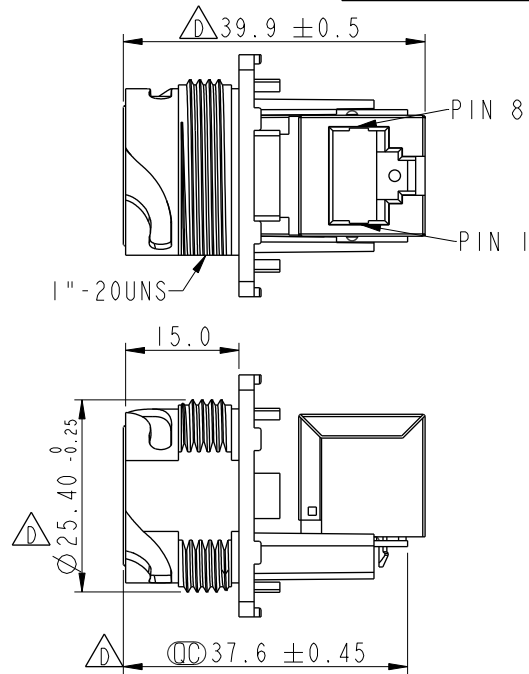
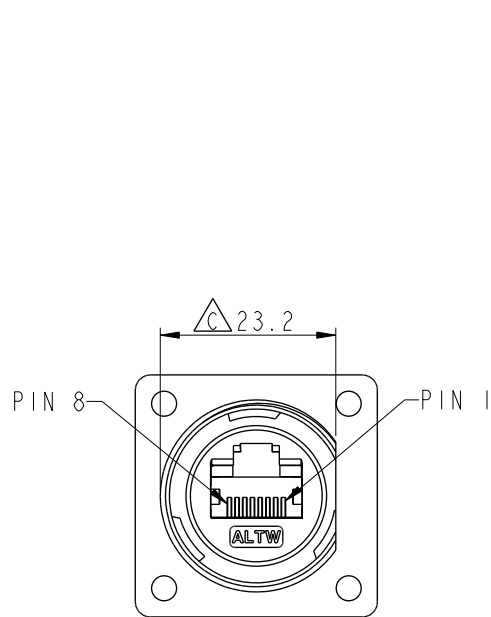


REV.	ECN NO.	DATE	SIGN	DESCRIPTION
D	LEN1810078	2017/11/28	Jalam	Modify The Tolerance
E	C190405	2019/03/15	Ruru	Modify Note
F	C220800	2022/06/02	Vicky	△ F X3



- △△△ Note:
- * RoHS Compliant
 - * ∅ Important dimension
 - * Waterproof rate: IPX7, unmated
 - * Connector
 - Housing: Thermoplastic, Black, RJ45 jack, shielded
 - * Gasket 1: Rubber, Gray
 - * Gasket 2: Rubber, Black
 - * Screw: Metal

Recommended Panel Cut-Out △

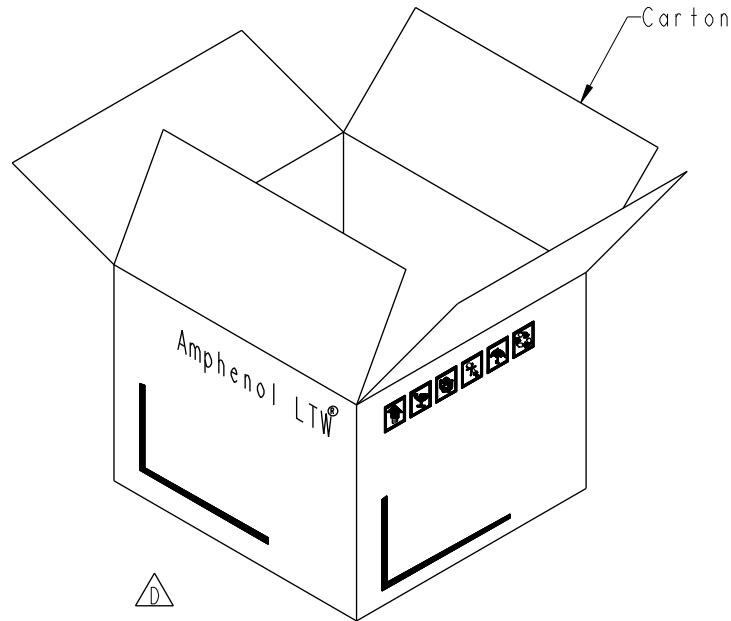
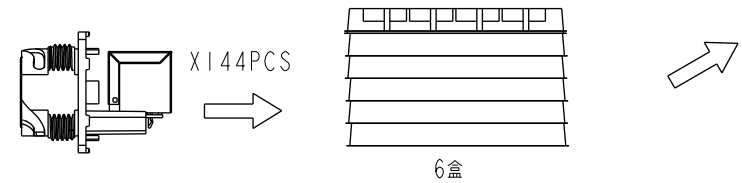
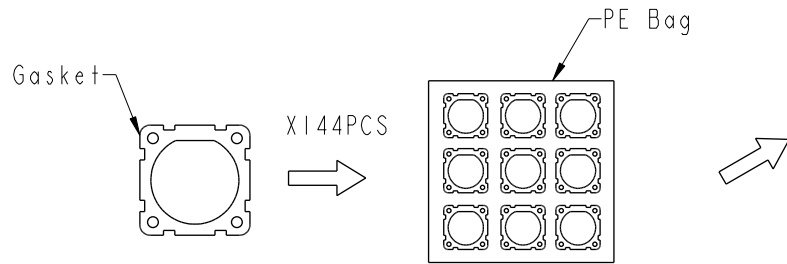
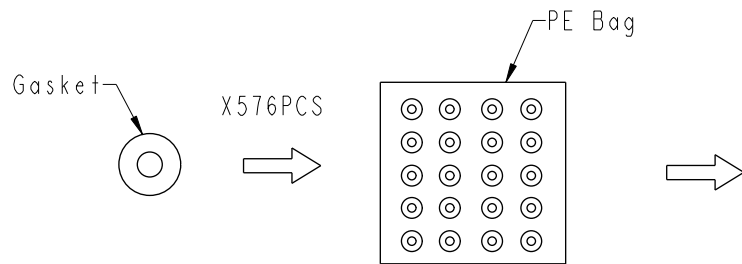
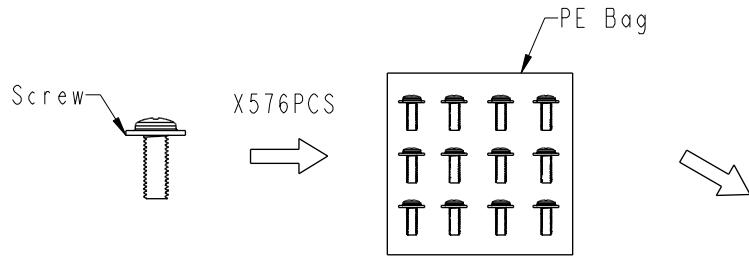
UNIT: mm		TITLE	RJ, D PLASTIC, C5E SHLD FRONT FASTENED, F, PNL JACK R, 3LOCK △	
TOLERANCE		SCALE	1:1	SIZE A4
.X ±0.25		REV.	F	WC-REV. B.5
.XX ±0.1				∅: Inspection item
.XXX ±0.05				
ANGLES ±1°				

Amphenol LTW
安費諾亮泰企業股份有限公司

ITEM NO	RDP-5SPFFV-TSU7001	DRAWN BY	Ruru	DATE	2019-03-15
DWG NO	RDP-5SPFFV-TSU7001	CHECKED BY	Rita	DATE	2019-03-15
CUSTOMER	ALTW	APPROVED BY	Max	DATE	2019-03-15

THIS DOCUMENT IS SUBJECT TO CHANGE WITHOUT NOTICE. IT IS CONFIDENTIAL AND A PROPERTY OF Amphenol LTW. DISCLOSURE TO THIRD PARTY HAS TO BE AUTHORIZED BY Amphenol LTW.

△ Packing



Note:
 * 1Pc產品配1Pc Gasket, 4Pcs Washer, 4Pcs Screw
 * 配件的出貨數量參考實際產品出貨數量

UNIT:mm			TITLE RJ, D PLASTIC, C5E SHLD FRONT FASTENED, F, PNL JACK R, 3LOCK
TOLERANCE .X ±0.25 .XX ±0.1 .XXX ±0.05 ANGLES ±1°	SCALE 1:1	SIZE A4	SHEET 2 OF 2
	REV. F	WC-REV. B.5	QC: Inspection item

Amphenol LTW
 安費諾亮泰企業股份有限公司

ITEM NO RDP-5SPFFV-TSU7001	DRAWN BY Ruru	DATE 2019-03-15
DWG NO RDP-5SPFFV-TSU7001	CHECKED BY Rita	DATE 2019-03-15
CUSTOMER ALTW	APPROVED BY Max	DATE 2019-03-15