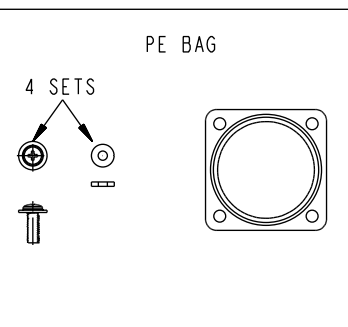
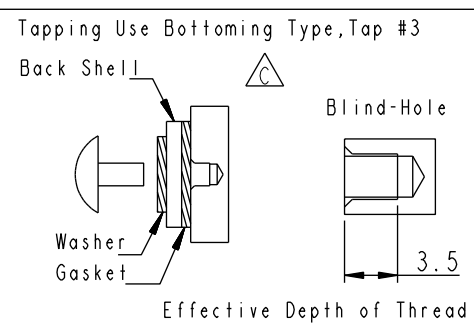
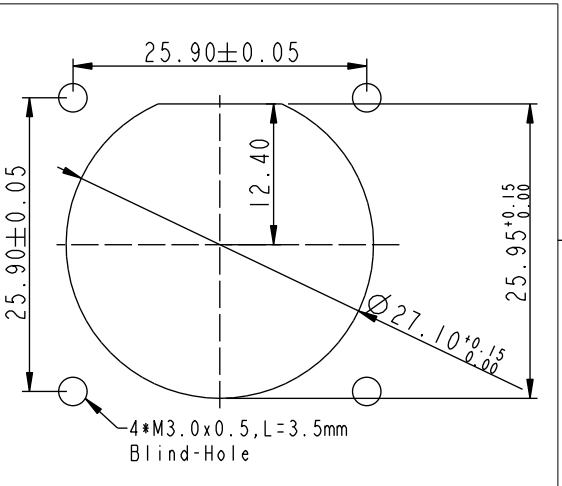
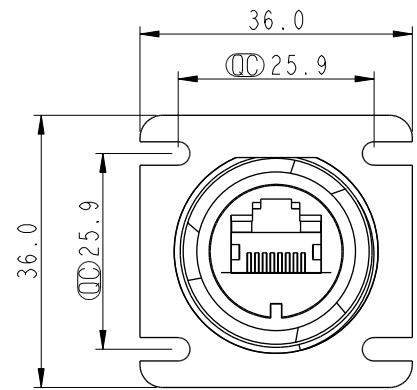
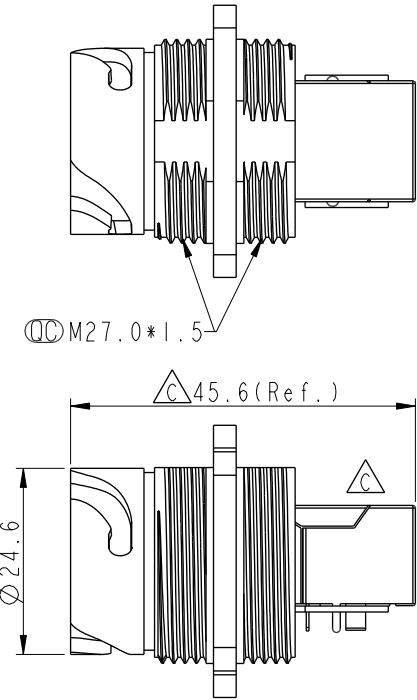
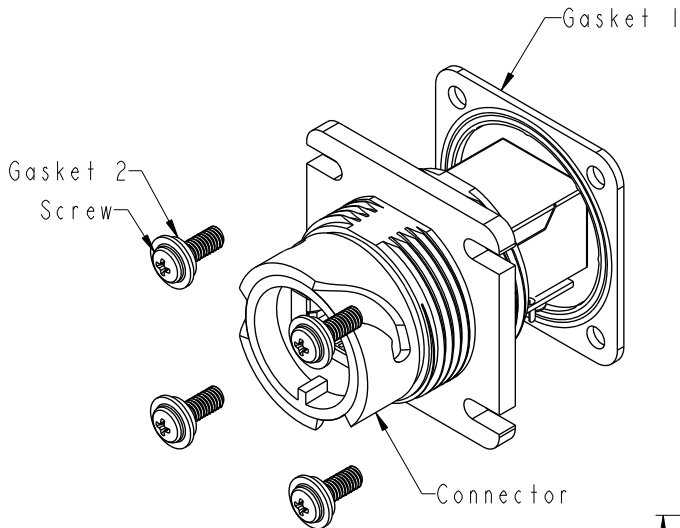


REV.	ECN NO.	DATE	SIGN	DESCRIPTION
D	LEN1610151	2016/01/08	Ruru	Change Note
E	LEN16B0208	2016/11/22	Feng_Li	Modify Gasket Shape
F	C220801	2022/06/10	Vicky	△ F X2



Note:

- \* RoHS Compliant
- \* ⌀ Important dimension
- \* Waterproof rate: IPX7, unmated
- \* Connector
- \* Housing: Thermoplastic, Black, RJ45 jack, shielded
- \* Gasket 1: Rubber, Black
- \* Gasket 2: Rubber, Black
- \* Screw: Metal
- \* Gasket and screw are packed separately in pe bag

UNIT: mm			TITLE
TOLERANCE	.X ±0.25	.XX ±0.1	RJ, ODVA PLASTIC, C5E SHLD DBL FASTENED, F, PNL JACK S, 3LOCK
.XXX ±0.05	ANGLES ±1°	SCALE 1:1	SIZE A4
		REV. F	WC-REV. B.4
			⌀: Inspection item

**Amphenol LTW**  
安費諾亮泰企業股份有限公司

ITEM NO	ROP-5SDFFH-TSU7001	DRAWN BY	Feng_Li	DATE	2016-11-22
DWG NO	ROP-5SDFFH-TSU7001	CHECKED BY	Jinhai	DATE	2016-11-22
CUSTOMER	ALTW	APPROVED BY	Jerry	DATE	2016-11-22

THIS DOCUMENT IS SUBJECT TO CHANGE WITHOUT NOTICE. IT IS CONFIDENTIAL AND A PROPERTY OF Amphenol LTW. DISCLOSURE TO THIRD PARTY HAS TO BE AUTHORIZED BY Amphenol LTW.