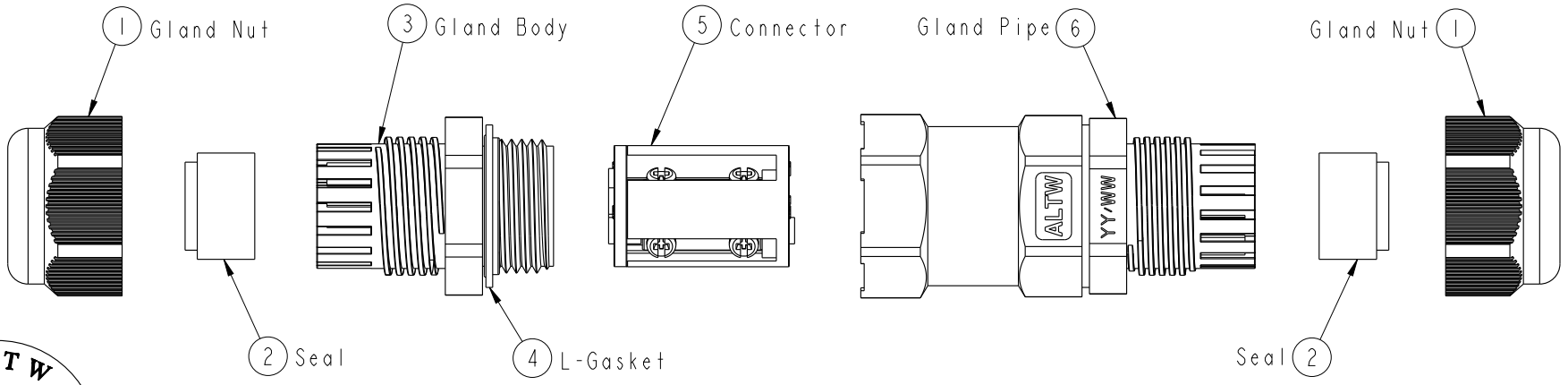
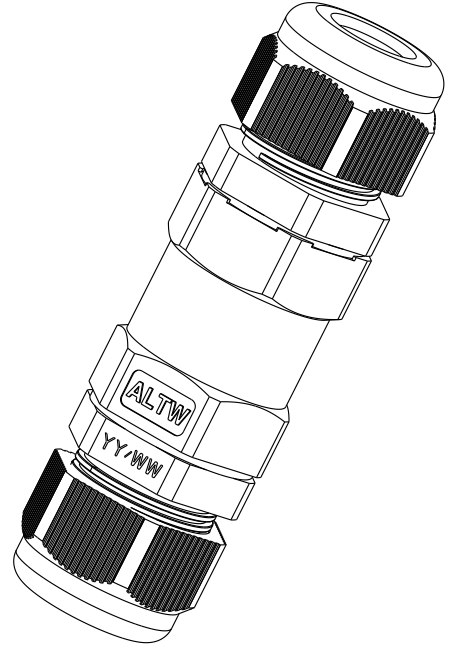
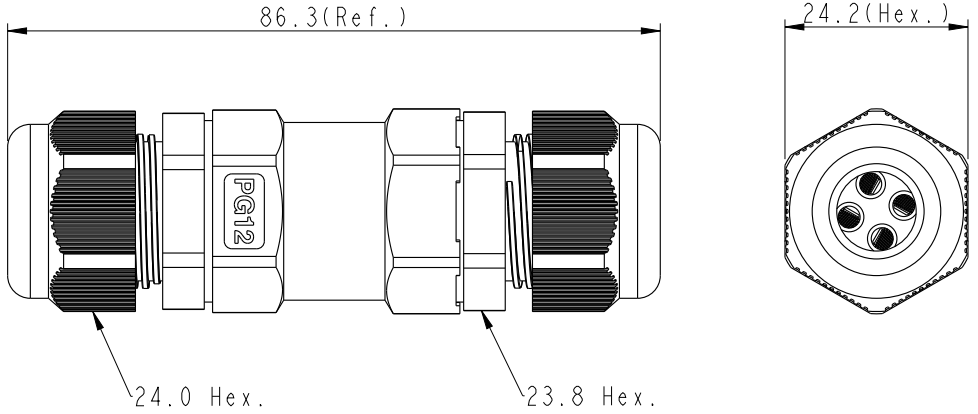
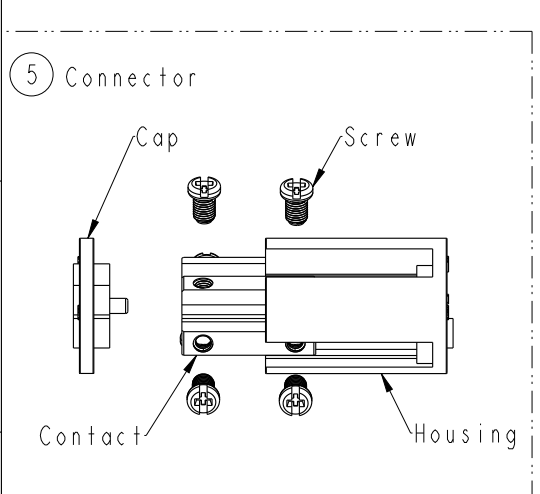


REV.	ECN NO.	DATE	SIGN	DESCRIPTION
E	LEN1750018~29	2017/04/25	Lingpeng	Add 5 Pin
F	LEN1790155~70	2017-08-30	Lingpeng	Update The Note
G	NI80019	2019-03-14	Lingpeng	Add All Seals Product



ALTW
CONFIDENTIAL
 2019-03-14
R&D DEPT.



UNIT:mm

TOLERANCE $\pm 0.5\text{mm}$

TITLE PG12 Cable Joiner
Screw-in Type

SCALE 1:1 SIZE A4 SHEET 1 OF 2

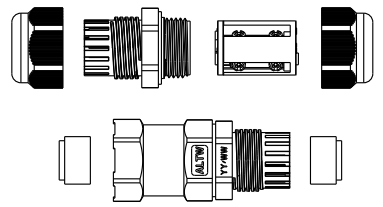
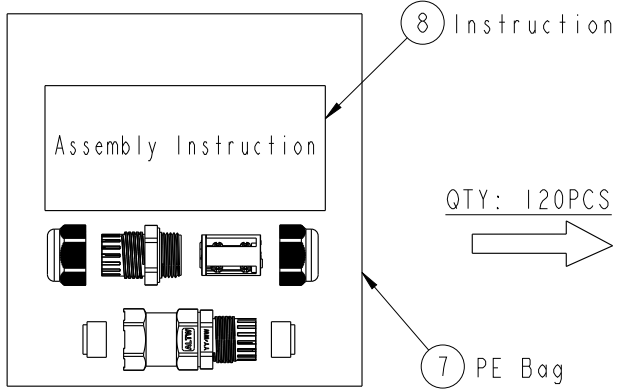
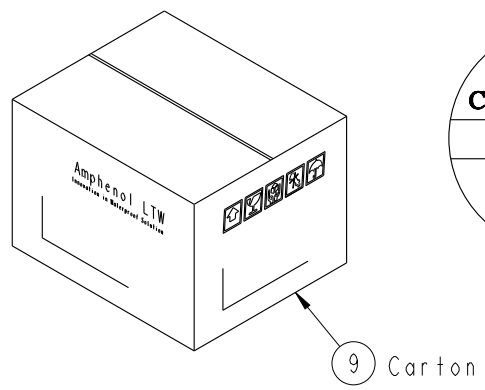
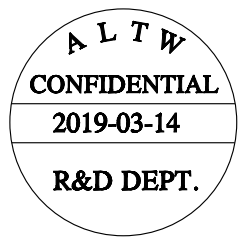
REV. G WC-REV. A.11 Inspection item

Amphenol LTW
 安費諾亮泰企業股份有限公司

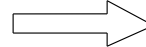
ITEM NO	DRAWN BY	DATE
DWG NO	CHECKED BY	DATE
CUSTOMER	APPROVED BY	DATE
ALTW	Lingpeng	2019-03-14
	Ma Fei	2019-03-14
	Jerry	2019-03-14

THIS DOCUMENT IS SUBJECT TO CHANGE WITHOUT NOTICE. IT IS CONFIDENTIAL AND A PROPERTY OF Amphenol LTW. DISCLOSURE TO THIRD PARTY HAS TO BE AUTHORIZED BY Amphenol LTW.

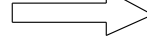
THIS DOCUMENT IS SUBJECT TO CHANGE WITHOUT NOTICE. IT IS CONFIDENTIAL AND A PROPERTY OF Amphenol LTW. DISCLOSURE TO THIRD PARTY HAS TO BE AUTHORIZED BY Amphenol LTW.



QTY: 1PCS



QTY: 120PCS



Both A Unassembled product And An Instruction Are In A PE Bag.
(將一套未組裝的產品和說明書, 放置於一個PE袋, 並封口)

Note:

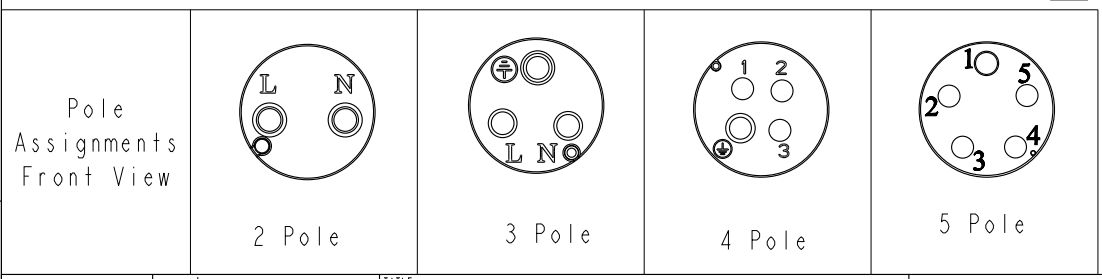
- * Important Dimension To Check.
- * Waterproof Rate: IP68 (50M, 24H)
- * Housing & Cap: PA66+GF, Black.
- * Gland Pipe: PA66, Black.
- * Gland Body: PA66, Black.
- * Gland Nut: PA6+GF, Black.
- * Contact: Brass, Nickel Plated
- * L-Gasket : Silicone, Yellow.
- * Seal: Silicone, Blue & Yellow & Green & Red.
- * Rated Voltage: 2~5 Pole 450V AC
- * Rated Current: 2 & 3 Pole Max. 20A ,
4 Pole Max. 15A,
5 Pole Max. 8A.
- * Operating Temperature: -40° ~ +105°.
- * Gland Body Recommended Tightening Torque:
8~10 Kgf.cm(0.78~0.98 N.m)
- * Gland Nut Recommended Tightening Torque:
8~10 Kgf.cm(0.78~0.98 N.m)
- * Seal For Cable OD: $\varnothing 4.5\sim\varnothing 6.5\text{mm}$, Blue.
 $\varnothing 6.5\sim\varnothing 8.5\text{mm}$, Yellow.
 $\varnothing 8.5\sim\varnothing 10.5\text{mm}$, Green .
 $\varnothing 10.5\sim\varnothing 11.5\text{mm}$, Red.
- * Screws for Wire connection recommended tightening torque: 2.00~4.50 kgf.cm / 0.196~0.44 N.m
- * Applicable Wire gauge (Stranded wire cross section) 0.75mm² (18AWG) ~ 2.5mm² (14AWG)

SC-L-PG12-XX-XX

L:Cable Joiner
Type: PG12

Seal's Color: BL-Blue(藍色) For Cable Range: $\varnothing 4.5\sim\varnothing 6.5\text{mm}$
 YW-Yellow(黃色) For Cable Range: $\varnothing 6.5\sim\varnothing 8.5\text{mm}$
 GN-Green(綠色) For Cable Range: $\varnothing 8.5\sim\varnothing 10.5\text{mm}$
 RD-Red(紅色) For Cable Range: $\varnothing 10.5\sim\varnothing 11.5\text{mm}$
 AA-All Seals For Cable Range: $\varnothing 4.5\sim\varnothing 11.5\text{mm}$

No. of Conductor: 02-2Poles
 03-3Poles
 04-4Poles
 05-5Poles



UNIT:mm		TITLE PG12 Cable Joiner Screw-in Type	
TOLERANCE	$\pm 0.5\text{mm}$	SCALE 1:1	SIZE A4
		REV. G	WC-REV. A.11
		SHEET 2 OF 2	
		Inspection item	

Amphenol LTW
安費諾亮泰企業股份有限公司

ITEM NO	DRAWN BY Lingpeng	DATE 2019-03-14
DWG NO SC-L-PG12-XX-XX	CHECKED BY Ma Fei	DATE 2019-03-14
CUSTOMER ALTW	APPROVED BY Jerry	DATE 2019-03-14