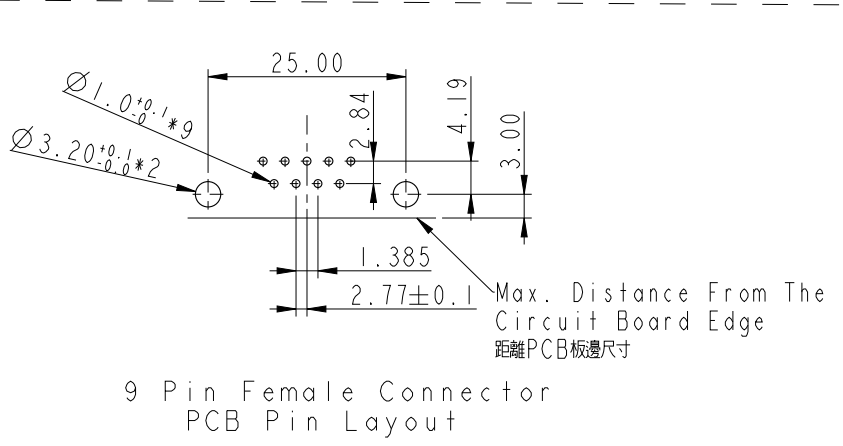
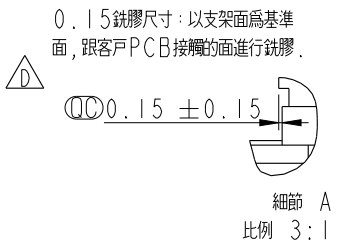
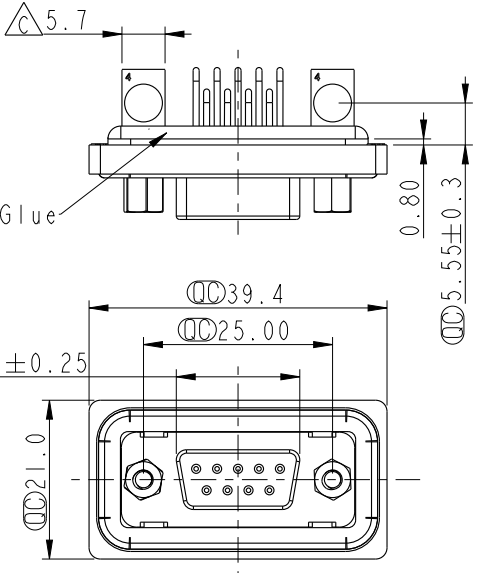
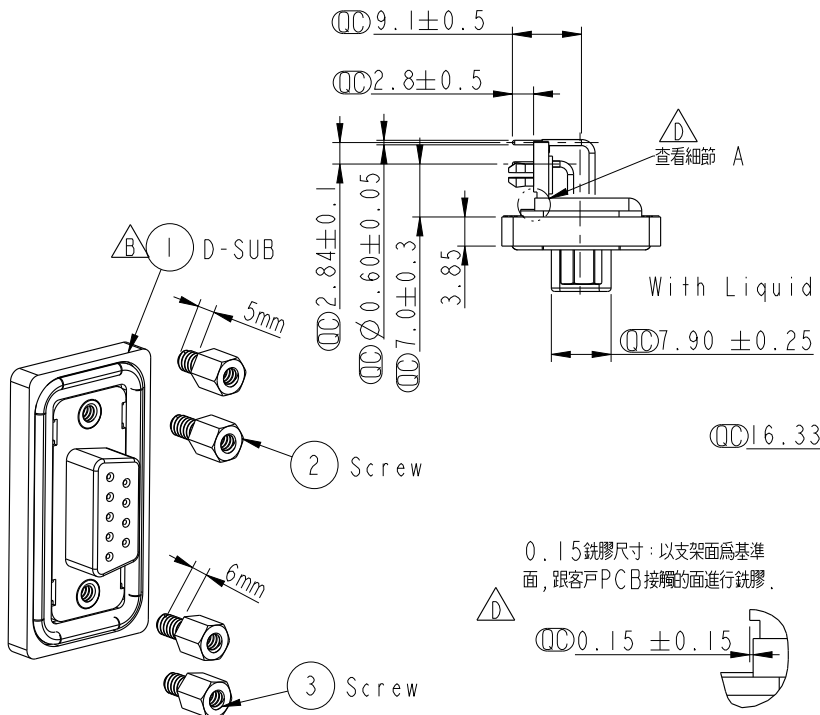


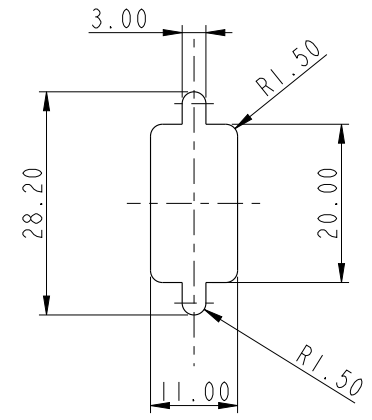
REV.	ECN NO.	DATE	SIGN	DESCRIPTION
C	LEN1350207	2013/05/16	Yulong	Change the Dimension
D	C200380	2020/03/30	JC Chen	\triangle D XI



Panel Thickness
面板厚度

Screw L=5.0 For Panel Thickness
Under 1.2mm
適用板厚 1.2mm以下

Screw L=6.0 For Panel Thickness
Between 1.2~2.0mm
適用板厚 1.2~2.0mm以下



Recommended Panel Cut-Out
建議控孔尺寸

- Note:
- * ⌀ Important Dimension.
 - * Waterproof Rate : IP68
IP68: 1M of depth of water 24 hours
(防水等級: IP68)
(IP68: 1米水深24小時)
 - * Do Mating Test After Glued
點膠後, 須作對插測試
 - * HD-SUB Conn. : Black Core, PBT
 - * Plastic Jacket : Black, Nylon+GF
 - * Pin: Copper Alloy, Gold Plated
 - * Ring: Light Blue, Silicone
 - * Screw: Copper Alloy, Nickel Plated, #4-40 UNC
 - * The 90° Board Lock Needs To Connect The Iron Shell
L型支架需接鐵殼

UNIT: mm		TITLE	DB9/F Conn, Panel, PCB 90° Add Board Lock		
TOLERANCE		SCALE	SIZE	SHEET	OF
.X	±0.25	1:1	A4	1	1
.XX	±0.1	REV.	WC-REV.	⌀ : Inspection item	
.XXX	±0.05	D	A.4		
ANGLES	±1°				

Amphenol LTW
安費諾亮泰企業股份有限公司

ITEM NO.	SDB-09PFFP-SB8001	DRAWN BY	Yulong_wang	DATE	2013/05/16
DWG NO.	SDB-09PFFP-SB8001	CHECKED BY	Victor	DATE	2013/05/16
CUSTOMER	ALTW	APPROVED BY	Maslow	DATE	2013/05/16

THIS DOCUMENT IS SUBJECT TO CHANGE WITHOUT NOTICE. IT IS CONFIDENTIAL AND A PROPERTY OF Amphenol LTW. DISCLOSURE TO THIRD PARTY HAS TO BE AUTHORIZED BY Amphenol LTW.