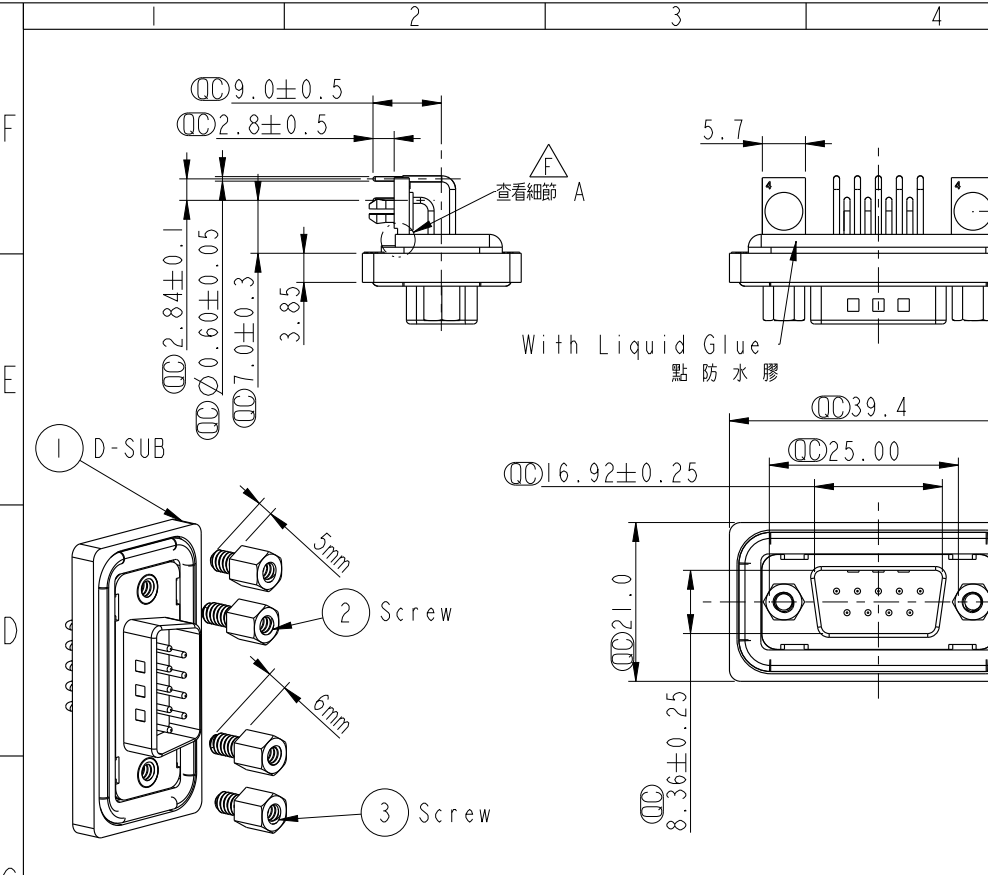


THIS DOCUMENT IS SUBJECT TO CHANGE WITHOUT NOTICE. IT IS CONFIDENTIAL AND A PROPERTY OF AMPHENOL LTW. DISCLOSURE TO THIRD PARTY HAS TO BE AUTHORIZED BY AMPHENOL LTW.

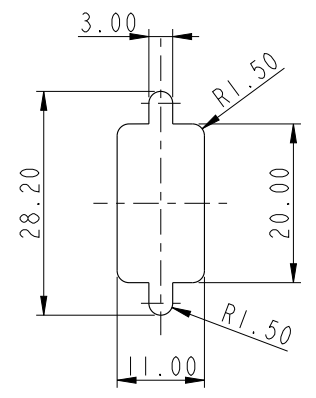
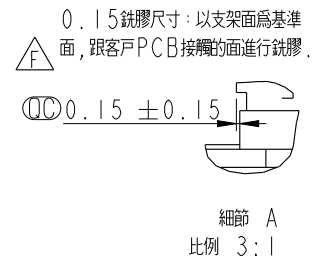
REV.	ECN NO.	DATE	SIGN	DESCRIPTION
D	LEN1780007	2017/08/02	Noctis	Modify The Tolerance
E	C190711	2019/05/13	Eric	Update Dimension
F	C200380	2020/03/30	JC Chen	△FXI



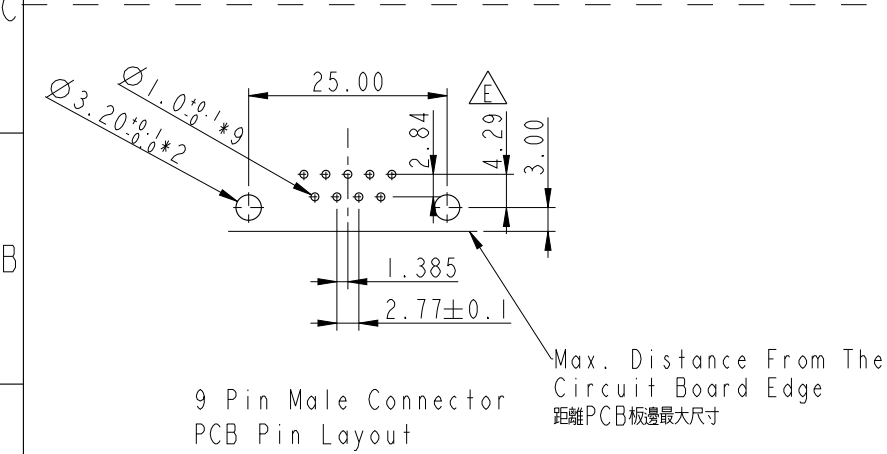
Panel Thickness
面板厚度
X (MAX)

Screw L=5.0 For Panel Thickness
Under 1.2mm
適用板厚為 1.2mm 以下

Screw L=6.0 For Panel Thickness
Between 1.2~2.0mm
適用板厚為 1.2~2.0mm



Recommended Panel Cut-Out
建議挖孔尺寸



Note:

- * \varnothing Important Dimension.
- * Waterproof Rate : IP68
- IP68: 1M of depth of water 24 hours (防水等級: IP68)
- (IP68: 1米水深24小時)
- * Do Mating Test After Glued 點膠後, 須作對插測試
- * HD-SUB Conn. : Black Core, PBT
- * Plastic Jacket : Black, Nylon+GF
- * Pin: Copper Alloy, Gold Plated
- * Ring: Light Blue, Silicone
- * Screw: Copper Alloy, Nickel Plated, #4-40 UNC
- * The 90° Board Lock Needs To Connect The Iron Shell
- L 型支架需接鐵殼

UNIT: mm		TITLE		Amphenol LTW 安費諾亮泰企業股份有限公司	ITEM NO	DRAWN BY	DATE
		DB9/M Conn, Panel, PCB 90° Add Board Lock			SDB-09PMMP-SB8001	Eric	2019/05/13
TOLERANCE		SCALE	SIZE		DWG NO	CHECKED BY	DATE
.X ±0.25		1:1	A4		SDB-09PMMP-SB8001	Jane	2019/05/13
.XX ±0.1		REV.	WC-REV.		CUSTOMER	APPROVED BY	DATE
.XXX ±0.05		F	A.4	\varnothing : Inspection item	ALTW	Neo	2019/05/13
ANGLES ±1°							