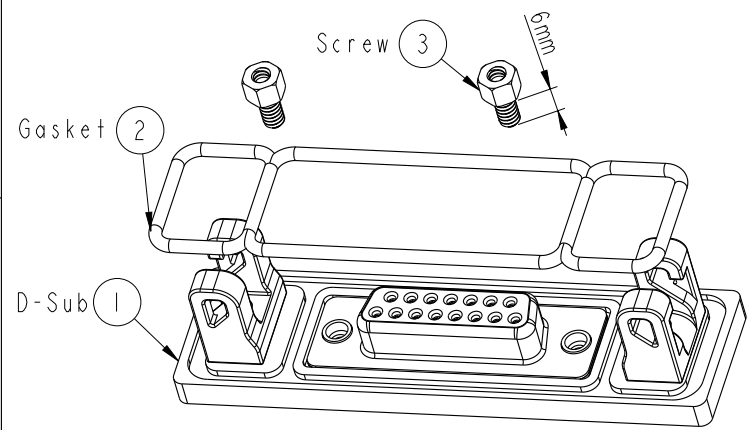


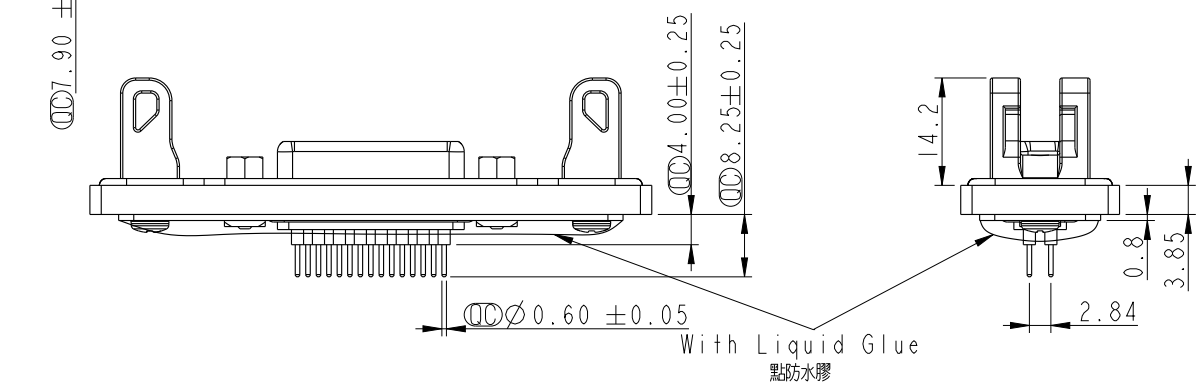
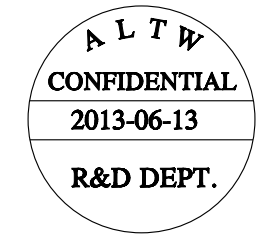
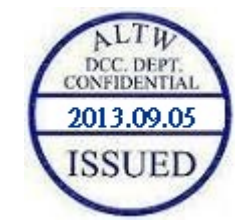
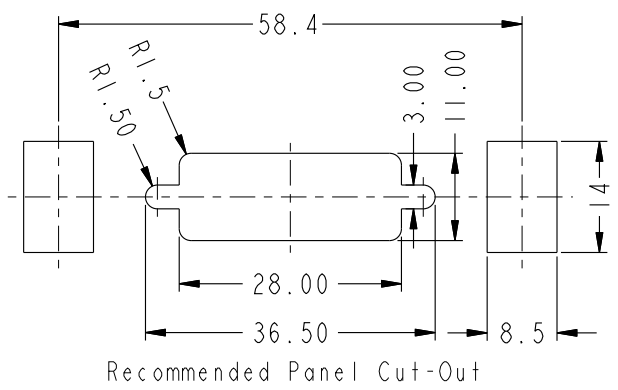
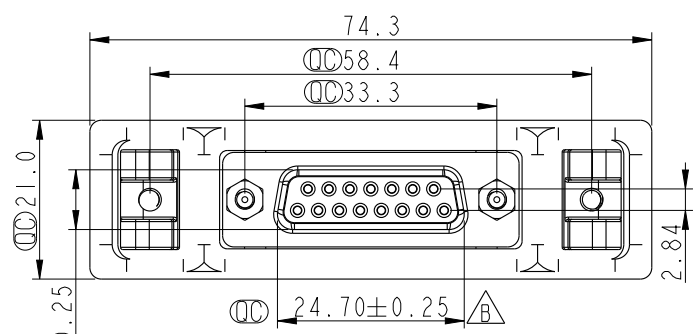
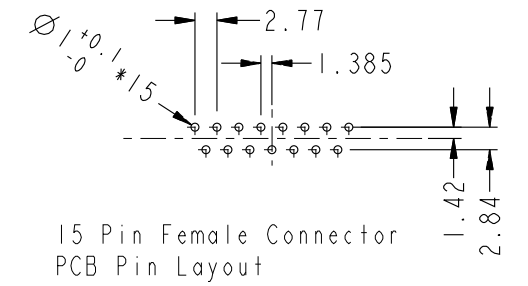
THIS DOCUMENT IS SUBJECT TO CHANGE WITHOUT NOTICE. IT IS CONFIDENTIAL AND A PROPERTY OF AMPHENOL LTW. DISCLOSURE TO THIRD PARTY HAS TO BE AUTHORIZED BY AMPHENOL LTW.

REV.	ECN NO.	DATE	SIGN	DESCRIPTION
B	LEN1390090	2013/06/13	Tony_leng	Change 24.66 To 24.70



Panel Thickness
 X (MAX.)

Screw L=6.0 For Panel Thickness
 Between 1.2~2.0mm



- Notes:
- * \varnothing Important Dimension.
 - * Materials:
 Panel : Zinc
 Panel Link : Zinc
 Screw : Stainless, #4-40 UNC
 O-Ring : Silicone Black
 Insulator : PBT
 Shell : Cold Rolled Steel
 Contact : Copper Alloy
 Nut : Copper Alloy
 - * Finishes:
 Panel : Nickel Plated
 Panel Link : Nickel Plated
 Nut : Nickel Plated
 Shell : Nickel Plated
 Contact : Gold Flash
 - * Waterproof Rate : IP68
 IP68: 1M of depth of water 24 hours

UNIT: mm		
TOLERANCE	.X ±0.25	.XX ±0.1
	.XXX ±0.05	ANGLES ±1°

TITLE D-SUB CONN PANEL QUICK DB15P F CONN F PIN			
SCALE 1:1	SIZE A4	SHEET 1 OF 1	
REV. B	WC-REV. A.5	QC: Inspection item	

Amphenol LTW
 安費諾亮泰企業股份有限公司

ITEM NO. SDB-15PFFP-QL8001	DRAWN BY Tony_leng	DATE 2013-06-13
DWG NO. SDB-15PFFP-QL8001	CHECKED BY Yulong	DATE 2013-06-13
CUSTOMER ALTW	APPROVED BY Victor	DATE 2013-06-13