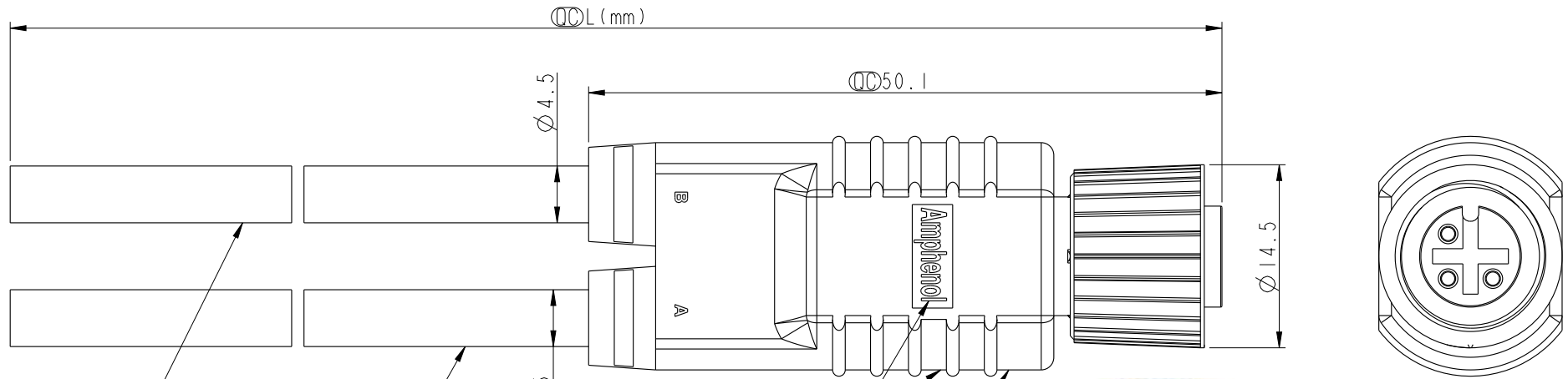


REV.	ECN NO.	DATE	SIGN	DESCRIPTION
B	LEN1130164-167	2011/02/25	Jiang Jun Hua	REF. TO ECR/N.NOTE.
C	LEN13B0193-96	2013/09/11	Cary	Change Logo From LTW To Amphenol

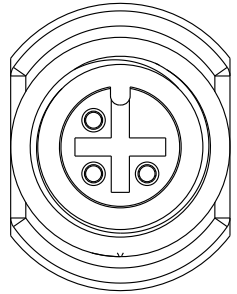


Cable ③

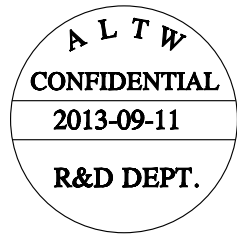
Cable ②

Logo in both sides  
兩面Logo

SS-030000-F00-YS000  
Color:Black

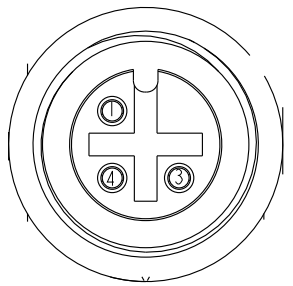


Conn.



SS-030000-F00-YSBXX  
XX: 01~99Meters  
01: 01Meter  
02: 02Meters  
.....  
99: 99Meters  
Cable Length(L): 01~99Meters

Note:  
 \* Ⓞ Important Dimension.  
 \* Waterproof Rate: IP68.  
 IP68: 1M Depth Of Water In 24hours.  
 \* Housing: PU, Black.  
 \* Female Pin: Copper Alloy, Gold Plated.  
 \* Cable: 22AWG\*3C+Talcum, PU Jacket, Black, OD=4.5mm.  
 \* Cable Length Tolerance: 01M: ±40mm  
 02M~05M: ±60mm  
 06M~10M: ±100mm  
 11M~30M: ±200mm  
 31M~99M: ±500mm



Pin Assignments  
Front View

4	Black	黑	Black	黑
3	Blue	藍	Blue	藍
1	Brown	棕	Brown	棕
Conn.	A		B	
	Wire Color			
	Pin Out			

UNIT:mm  
TOLERANCE ±0.5mm

TITLE M12 Cable Screw 3Pin F Conn F Pin			
SCALE 1:1	SIZE A4	SHEET 1 OF 1	
REV. C	WC-REV. A.3	Ⓞ: Inspection item	

**Amphenol LTW**  
安費諾亮泰企業股份有限公司

ITEM NO	DRAWN BY Cary_liu	DATE 2013/09/11
DWG NO SS-030000-F00-YSBXX	CHECKED BY Tom_gu	DATE 2013/09/11
CUSTOMER ALTW	APPROVED BY Victor	DATE 2013/09/11

THIS DOCUMENT IS SUBJECT TO CHANGE WITHOUT NOTICE. IT IS CONFIDENTIAL AND A PROPERTY OF Amphenol LTW. DISCLOSURE TO THIRD PARTY HAS TO BE AUTHORIZED BY Amphenol LTW.