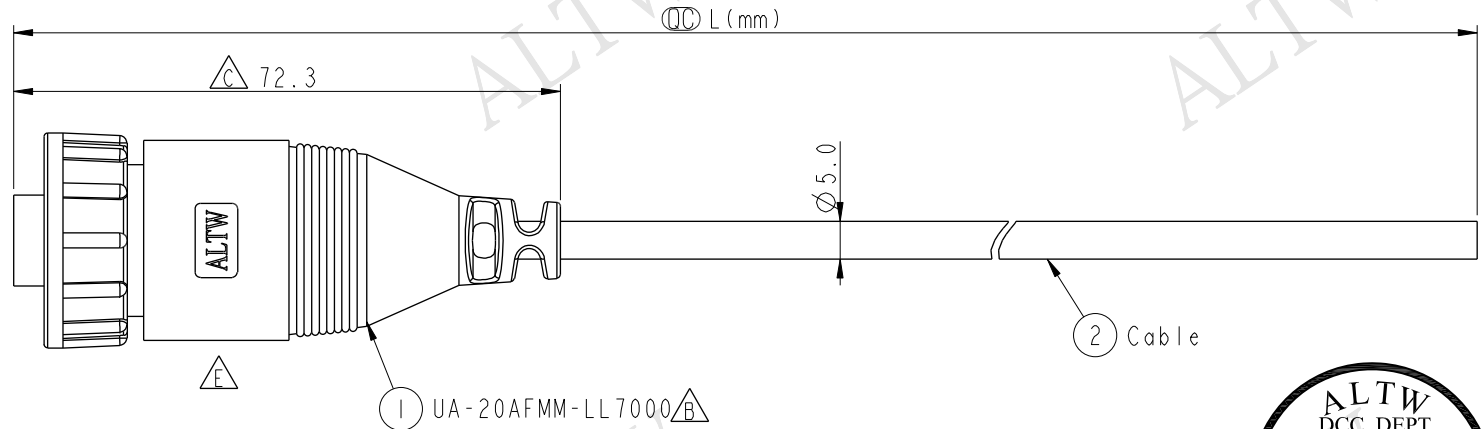
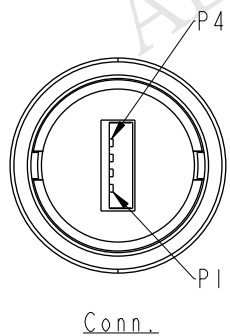


REV.	ECN NO.	DATE	SIGN	DESCRIPTION
C	LEN1470046~049	2014-07-07	Yulong_wang	Change Dimension
D	LEN1470265~268	2014-07-22	Sam	Midify Note&Twist.
E	LEN15C0108~111	2015-11-06	Ruru	Change Logo & Note



ALTW
CONFIDENTIAL
2015-11-06
R&D DEPT.

ALTW
DCC. DEPT.
CONFIDENTIAL
2015.12.10
ISSUED

UA-20AFMM-LL7AXXB
 XX: 01~05Meters
 01: 01Meters
 02: 02Meters
 :
 :
 05: 05Meters
 Cable Length(L): 01~05Meters

Note:
 * (C) Important Dimension
 * Waterproof Rate: IP67
 * Connector: USB A Type Male Solder Type.
 * Cable: USB 2.0, 28#*1P+24#*2C+AI/My+D+B Black, PVC Jacket UV Resistant, OD=5.0
 * ALL Parts Are Rohs Compliant.
 * Cable Length Tonlerance: 01M: ±40mm
 02M~05M: ±60mm
 06M~10M: ±100mm
 11M~30M: ±200mm
 31M~99M: ±500mm

Shield	Drain	地線
4	Black(24 AWG)	黑
3	Green(28 AWG)	綠
2	White(28 AWG)	白
1	Red (24 AWG)	紅
Conn.	Wire Color	

Twist
對線 (D)

UNIT:mm
 TOLERANCE ±0.5 mm

TITLE Large Size USB A Molding Type			
SCALE 1:1	SIZE A4	SHEET 1 OF 1	
REV. E	WC-REV. A.3	(C): Inspection item	

Amphenol LTW
 安費諾亮泰企業股份有限公司

ITEM NO	DRAWN BY Ruru	DATE 2015-11-06
DWG NO UA-20AFMM-LL7AXX	CHECKED BY Rita	DATE 2015-11-06
CUSTOMER ALTW	APPROVED BY Lisa	DATE 2015-11-06

THIS DOCUMENT IS SUBJECT TO CHANGE WITHOUT NOTICE. IT IS CONFIDENTIAL AND A PROPERTY OF Amphenol LTW. DISCLOSURE TO THIRD PARTY HAS TO BE AUTHORIZED BY Amphenol LTW.