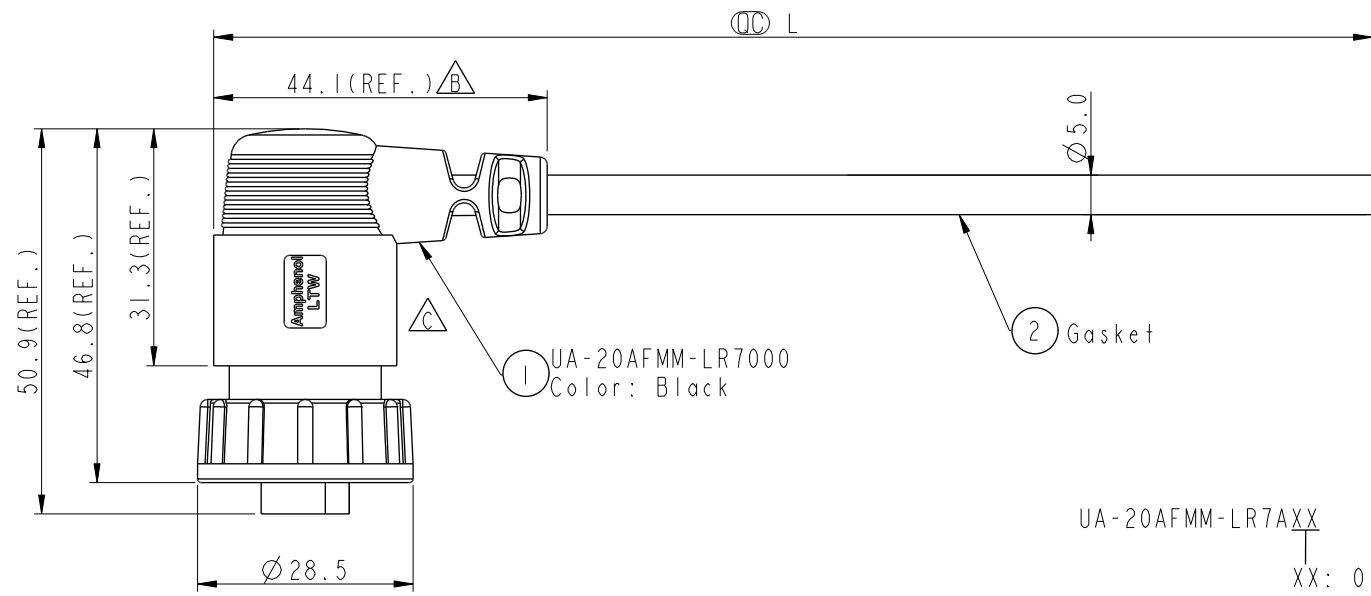
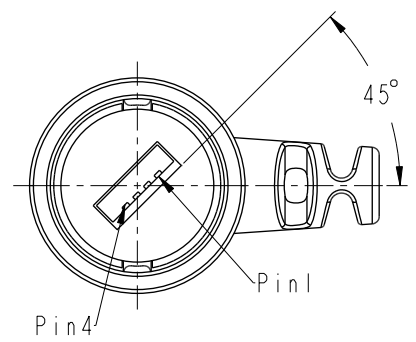


THIS DOCUMENT IS SUBJECT TO CHANGE WITHOUT NOTICE. IT IS CONFIDENTIAL AND A PROPERTY OF Amphenol LTW. DISCLOSURE TO THIRD PARTY HAS TO BE AUTHORIZED BY Amphenol LTW.

REV.	ECN NO.	DATE	SIGN	DESCRIPTION
B	LE-810003	2007/12/27	LiChiCheng	Change 44.1 to REF.
C	LEN-1310133-36	2013/02/01	RAISON	ADD LOGO
D	C210797	2021/05/21	Ruru	\triangle XI



UA-20AFMM-LR7AXX
 XX: 01~99Meter
 01: 01Meter
 02: 02Meters
 ...
 05: 05Meters
 Cable Length(L):01~05Meters



- Note:
- * $\text{\textcircled{L}}$ Important Dimension
 - * Waterproof Rate: IP67
 - * USB:A Type Male Solder Type
 - * Lock Nut: Nylon+GF
 - * Gasket: EPDM
 - * Cable :USB2.0 N 28AWG*1P+24AWG*2C+AL /MY+D+B Black OD=5.0mm
 - * Cable Length Tolerance: 1M~5M \pm 5%mm
 - * Connector 鑲塊無需刻 " " 標誌

Shield	Drain
4	Black (24AWG)
3	Green (28AWG)
2	White (28AWG)
1	Red (24AWG)
Conn.	Wire Color

Twist

UNIT:mm			TITLE USB, A TYPE, 2.0, CABLE W/SR F, M, MOLDING, 2LOCK \triangle XI
TOLERANCE .X \pm 0.25 .XX \pm 0.1 .XXX \pm 0.05 ANGLES \pm 1°	SCALE 1:1	SIZE A4	SHEET 1 OF 1
REV. D	WC-REV. A.8	$\text{\textcircled{L}}$: Inspection item	

Amphenol LTW
 安費諾亮泰企業股份有限公司

ITEM NO	DRAWN BY Raison_liao	DATE 2013-02-01
DWG NO UA-20AFMM-LR7AXX	CHECKED BY TONY	DATE 2013-02-01
CUSTOMER ALTW	APPROVED BY VICTOR	DATE 2013-02-01