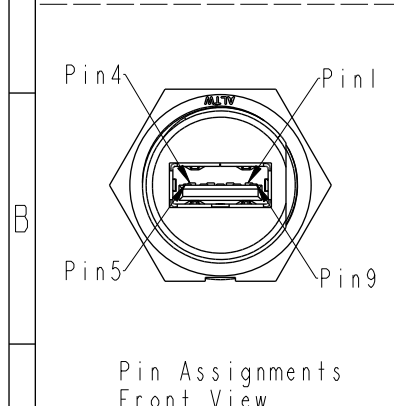
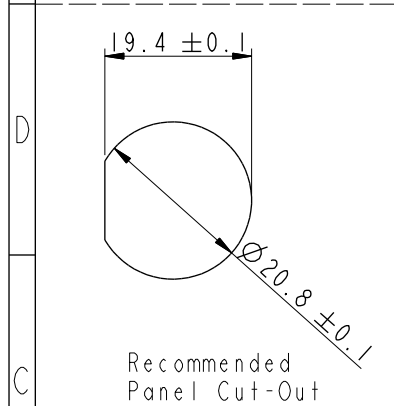
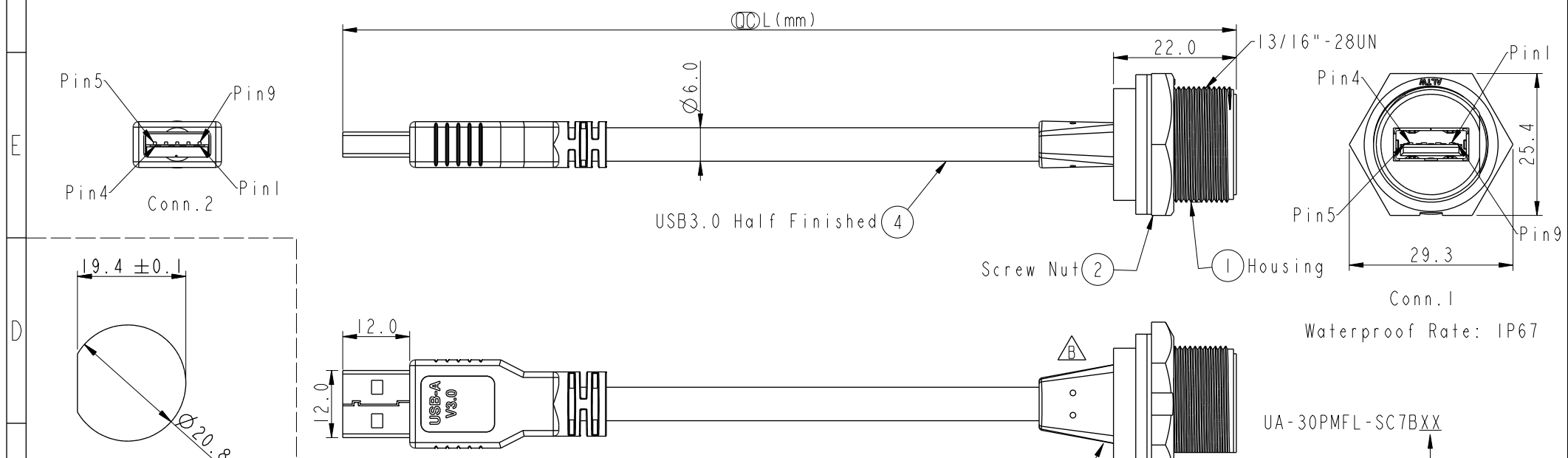
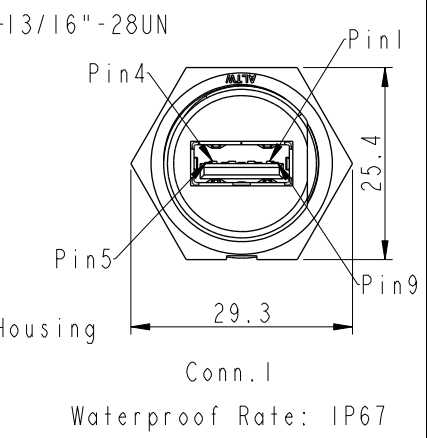
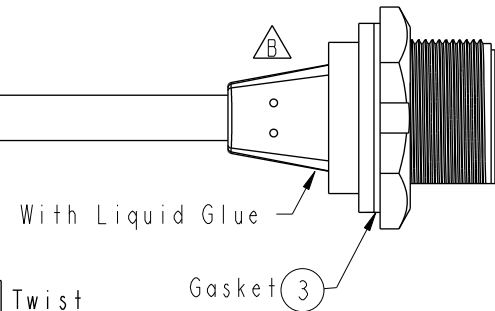


THIS DOCUMENT IS SUBJECT TO CHANGE WITHOUT NOTICE. IT IS CONFIDENTIAL AND A PROPERTY OF Amphenol LTW. DISCLOSURE TO THIRD PARTY HAS TO BE AUTHORIZED BY Amphenol LTW.

REV.	ECN NO.	DATE	SIGN	DESCRIPTION
A	Initial Released	2020/08/24	Ruru	Old Item No. UA-30PMF-SD7BXX
B	C220894	2022/06/23	Vicky	XI



Shield	Braid	編織	Shield	Shield	
9	Orange	28AWG 橙	SDP2+	9	Twist
8	Purple	28AWG 紫	SDP2-	8	
7	Drain	28AWG	SDP2_Drain	7	Twist
6	Yellow	28AWG 黃	SDP1+	6	
5	Blue	28AWG 藍	SDP1-	5	Twist
7	Drain	28AWG	SDP1_Drain	7	
4	Black	28AWG 黑	GND_PWRrt	4	Twist
3	Green	28AWG 綠	UTP_D+	3	
2	White	28AWG 白	UTP_D-	2	Twist
1	Red	28AWG 紅	PWR	1	
Conn.1	Wire Color		Signal Name	Conn.2	



UA-30PMFL-SC7BXX

15 : 150mm
 20 : 200mm
 30 : 300mm
 50 : 500mm
 A0 : 1000mm

- Note:
- * \varnothing Important Dimension.
 - * Housing: Thermoplastic, Black
 - * Screw Nut: Thermoplastic, Black
 - * Gasket: Rubber, Gray
 - * Jack: USB3.0-A Female Solder
 - * Cable: UL2725 (IP*28#+DMA)*2C+IP*28#+2C*28#+ADB, PVC, UV Resistant, OD=6.0mm, Black
 - * Cable Length Tolerance: 150~1000mm:±60mm
 - * Use with waterproof cap or dust cap
Panel Thickness max: 2.8mm
 - * Use without waterproof cap or dust cap
Panel Thickness max: 4.0mm
 - * All of Drain twisted together.

UNIT:mm		TITLE
TOLERANCE	±0.5	USB, A TYPE, 3.0, FRONT FASTENED M, F, PNL W/PLUG, SCREW
SCALE	1:1	SIZE
REV.	B	WC-REV.
		WC-REV.
		QC: Inspection item

Amphenol LTW
安費諾亮泰企業股份有限公司

ITEM NO	DRAWN BY	DATE
DWG NO	CHECKED BY	DATE
CUSTOMER	APPROVED BY	DATE
ALTW	Max	2020-08-24