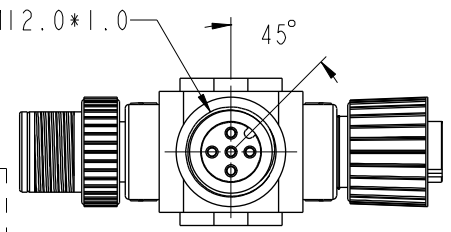
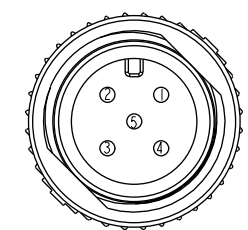
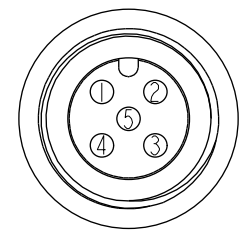
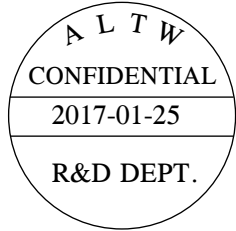
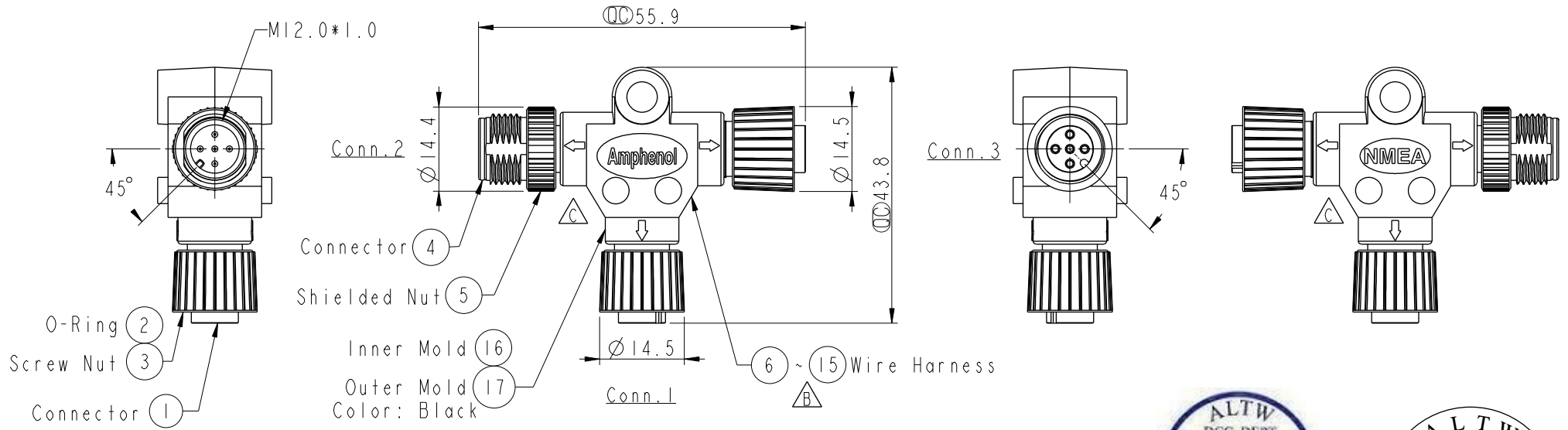


REV.	ECN NO.	DATE	SIGN	DESCRIPTION
A	Initial Release	2009/07/09	Doreen	Change REV.01 to REV.A
B	LE3-030120	2010/03/16	Li Xiu Zhi	Add Wire Harness
C	LE31720107	2017/01/25	Ruru	Change Logo & Outer Mold Design



Wire Color	Conn. 1	Conn. 2	Conn. 3
Blue 藍 (24AWG)	5	5	5
White 白 (24AWG)	4	4	4
Black 黑 (22AWG)	3	3	3
Red 紅 (22AWG)	2	2	2
Green 綠 (22AWG)	1	1	1

Note:

- \*  $\varnothing$  Important Dimension.
- \* Waterproof Rate: IP68.
- \* Connector: PU, Black
- \* O-Ring: Silicone, Gray
- \* Nut: Zinc Alloy, Nickel Plated.
- \* Male Pin: Copper Alloy, Gold Plated.
- \* Wire Harness: UL1007/TR64 22AWG, Green, Red, Black.
- \* Wire Harness: UL1007/TR64 24AWG, White, Blue.

UNIT:mm  
TOLERANCE  
 $\pm 0.5$  mm

TITLE  
M12 Conn T Adaptor Screw  
FMF Conn FMF Pin

SCALE 1:1  
REV. C

SIZE A4  
WC-REV. A.1

SHEET 1 OF 1  
 $\varnothing$ : Inspection item

**Amphenol LTW**  
安費諾亮泰企業股份有限公司

ITEM NO  
DWG NO UMC-050505-FMF-TS001  
CUSTOMER ALTW

DRAWN BY Ruru  
CHECKED BY Rita  
APPROVED BY Max

DATE 2017-01-25  
DATE 2017-01-25  
DATE 2017-01-25

THIS DOCUMENT IS SUBJECT TO CHANGE WITHOUT NOTICE. IT IS CONFIDENTIAL AND A PROPERTY OF Amphenol LTW. DISCLOSURE TO THIRD PARTY HAS TO BE AUTHORIZED BY Amphenol LTW.