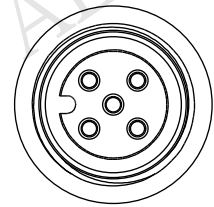
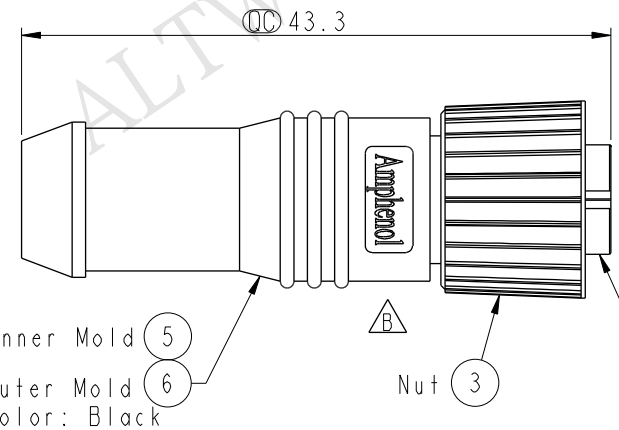
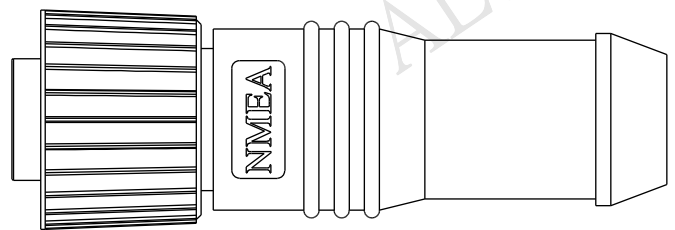


THIS DOCUMENT IS SUBJECT TO CHANGE WITHOUT NOTICE. IT IS CONFIDENTIAL AND A PROPERTY OF Amphenol LTW. DISCLOSURE TO THIRD PARTY HAS TO BE AUTHORIZED BY Amphenol LTW.

REV.	ECN NO.	DATE	SIGN	DESCRIPTION
A	Initial Release	2009/07/09	Doreen	Change REV.02 to REV.A
B		2015/12/09	Ruru	Change Logo LTW To Amphenol



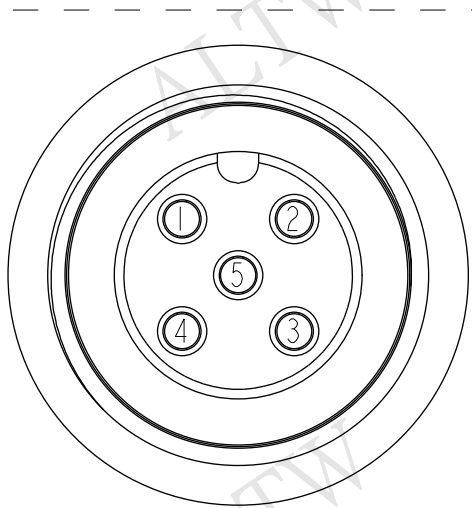
Conn.



Inner Mold 5
Outer Mold 6
Color: Black

Nut 3

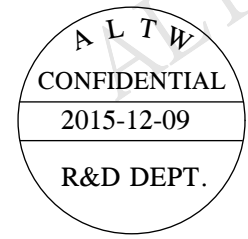
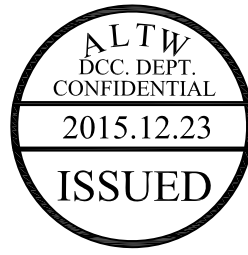
- 1 Connector
- 2 O-Ring
- 4 Resistor



Pin Assignments
Front View

Resistor	5	
	4	
N/A	3	
N/A	2	
N/A	1	
Wire Color	Conn.	

Pin Out



Note:
 * \varnothing Important Dimension.
 * Waterproof Rate: IP68
 * Connector: PU, Black
 * O-Ring: Silicone, Gray
 * Female Pin: Copper Alloy, Gold Plated
 * Resistor: 1/4, 120 Ω , 5% Resistance, Molded Inside The Connector.

UNIT:mm		
TOLERANCE	$\pm 0.5mm$	

TITLE M12 Female Conn. Female Pin, No Cable, With Resistor			
SCALE 2:1	SIZE A4	SHEET 1 OF 1	
REV. B	WC-REV. A.4	\varnothing : Inspection item	

Amphenol LTW
安費諾亮泰企業股份有限公司

ITEM NO UMC-05BFFT-SL8001	DRAWN BY Ruru	DATE 2015-12-09
DWG NO UMC-05BFFT-SL8001	CHECKED BY Rita	DATE 2015-12-09
CUSTOMER ALTW	APPROVED BY Lisa	DATE 2015-12-09